

BPF-Lxxx series

Beam Profiler for High Power Lasers

Total spectral range 380 – 980nm



Features

- Unique fluorescence imaging technology (PAT)
- Direct measurement at the front top fluorescent plate without any optical attenuators
- High optical damage threshold
- Speckle free
- Real time imaging
- Operation mode, CW and pulsed with ex. trigger

Applications

- Laser processing
- Laser alignment
- Laser manufacturing
- Medical care
- Industry
- LiDAR



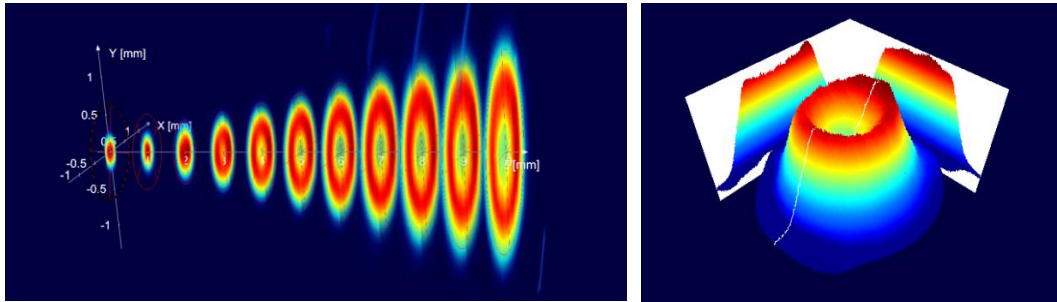
Specifications

*The figures in this table are typical measured values at our company, not the values for guaranteeing.

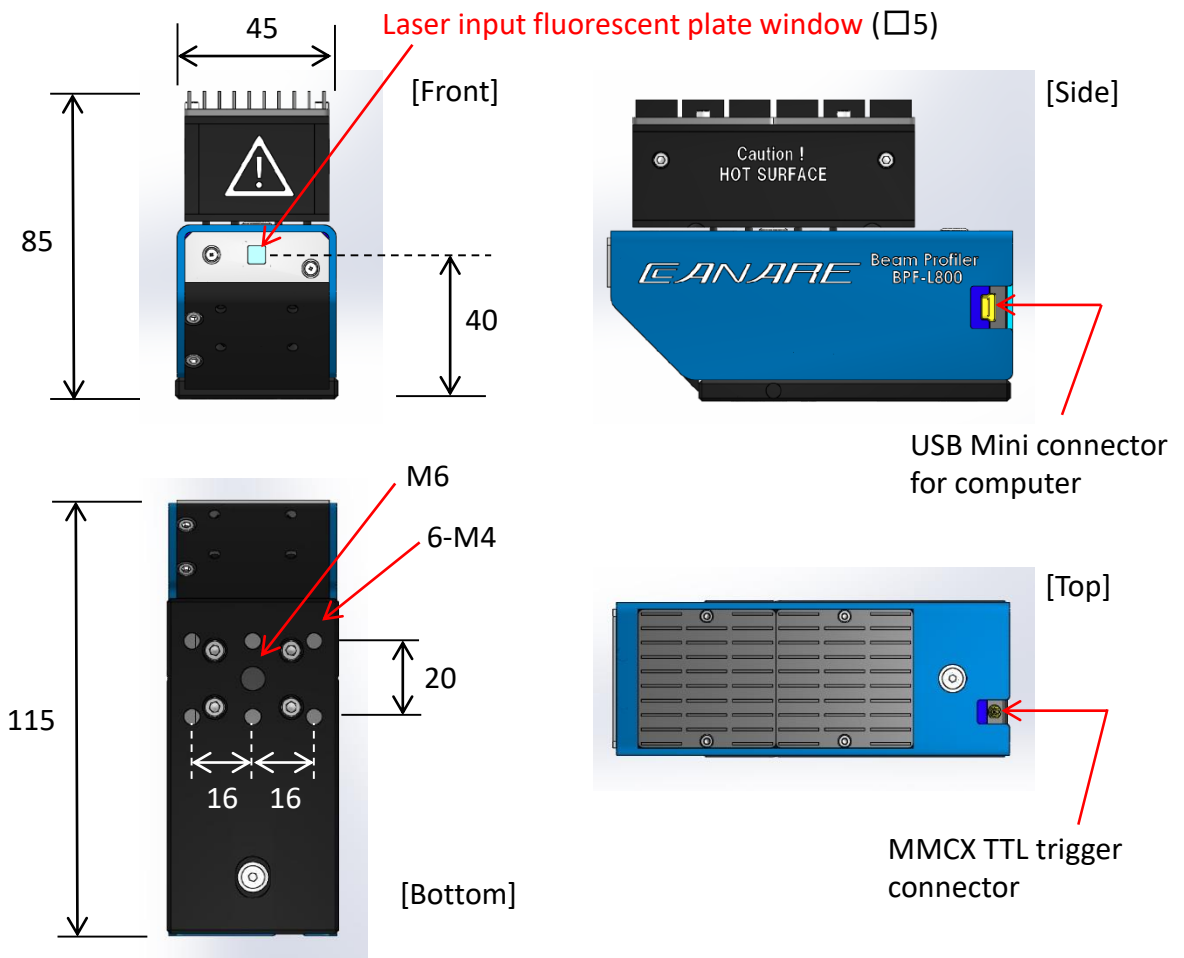
Spectral range	380 – 550nm (L400) 750 – 900nm (L800) 900 – 980nm (L900)	Linearity error	< 10% (1.2MW/cm ² L400/L900) < 10% (3kW/cm ² L800)
Active area	□5mm	Spatial inaccuracy	< 1%
Number of pixel	1280 x 1024	Damage threshold	> 2MW/cm ² (L400) > 1MW/cm ² (L800/L900)
Resolution (pixel size)	5.3μm x 5.3μm	Signal intensity non-uniformity	< 10%
Min. beam diameter	53μm	Beam diameter non-uniformity	< 5%
Max. beam diameter	4mm	Interface	USB2.0
Frame rate	up to 20Hz	OS	Windows 7/8/10 (32/64bit)
Operation modes	CW / Pulse		
Dimensions (WxHxL)	45 x 85 x 115mm		
Weight	560g		
Operating temp. range	0 – 40°C		

Performance Data Diagrams

2D cross-sectional views of the BPF-L800 output beam from a multimode optical fiber measured from the fiber end face at 1mm intervals. The core diameter of the fiber is 365 μ m and the output power is 10W CW at 885nm. (Cladding mode observed.)



Device dimensions [mm]



Software

- (1) Software is provided on the USB memory stick included with the product.
- (2) Three software versions are made available, with different functions depending on the version.

Please specify the version required when ordering.

Version: **Lite, Standard, Professional**

For details, please refer to the software function comparison table on our website.